

Tizian Block

172,5×107×73 cm
250 l

AQUATOR



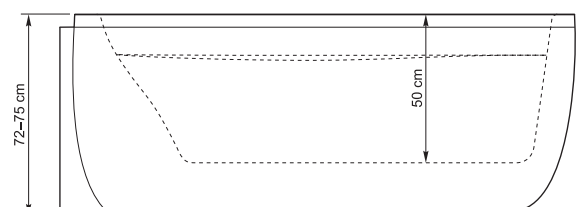
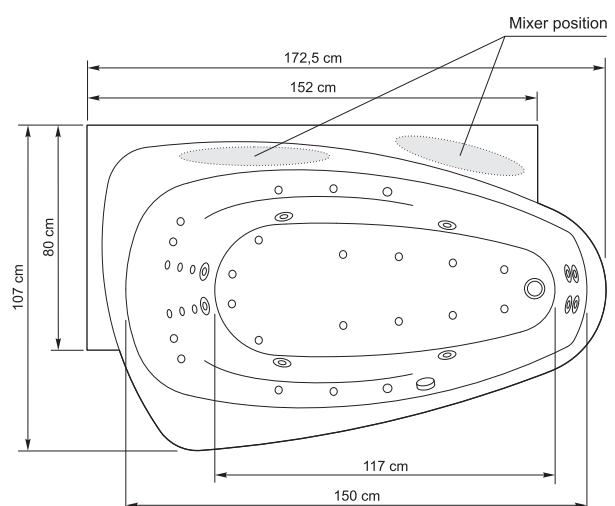
DESIGN BY AQUATOR 2004



Tizian Block belongs to Aquator's "Sea Stone" collection and exhibits an elegant symbiosis of geometry and plastic.

FEATURES

- Massage with the same amount of power as a therapeutic tub, which is based on the experience obtained from development, production and extensive use in medical institutions.
- Extremely comfortable position + armrests.
- Special pillow ensures the neck muscles are relaxed in every position.
- Spine protected from strong, direct hydro-massage.
- Rectangular part of bath is wearing waterproof wooden plate, which could be covered with different materials (tiles, etc.) allowing to bind bath with room in different and more interesting way. Brilliant effect!
- Aquator Touch-screen. Unique driving system, which makes using the various massage baths more comprehensive, precise and delicate. Extremely comfortable to use.
- Price includes all possible massage components (back, side, hand and foot massage). There are 26 hydro-jets and 12 air-jets in total.
- Only top quality components and materials are used in production (Koller - Austria, Lucite - Great Britain, Röhm-Degussa - Germany).
- DME Award 2007 (Design Management Europe Award 2007).





left

right

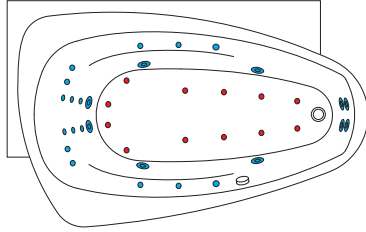
Tizian Block

COMBI POWER 6775/6785

Pneumatic control system

Side massage
Back massage
Arm massage
Hand massage
Foot massage
Air massage
Bath

Pump 2
Power (kW) 3,0
Micro-jets 16
Midi-jets 10
Air-jets 12

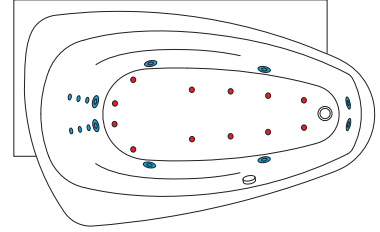


COMBI 6774/6784

Pneumatic control system

Side massage
Back massage
Foot massage
Air massage
Bath

Pump 1
Power (kW) 2,3
Micro-jets 6
Midi-jets 8
Air-jets 12

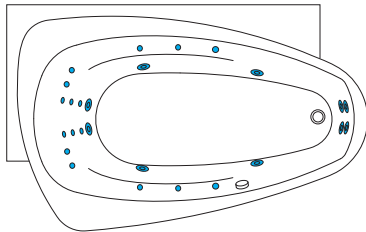


HYDRO POWER 4783/4785

Pneumatic control system

Side massage
Back massage
Arm massage
Hand massage
Foot massage
Bath

Pump 2
Power (kW) 2,2
Micro-jets 16
Midi-jets 10
Air-jets -

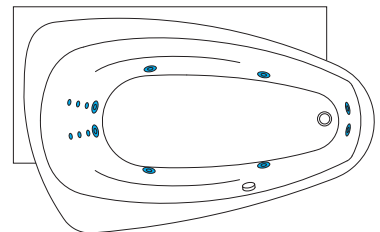


HYDRO 4782/4784

Pneumatic control system

Side massage
Back massage
Foot massage
Bath

Pump 1
Power (kW) 1,5
Micro-jets 6
Midi-jets 8
Air-jets -

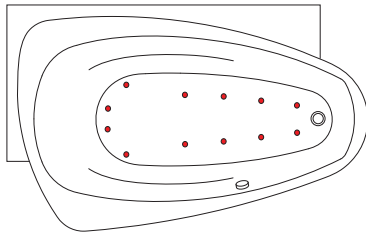


AERO 3774/3784

Pneumatic control system

Air massage
Bath

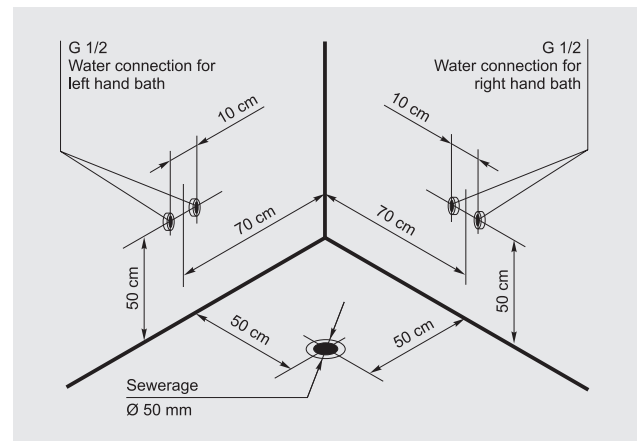
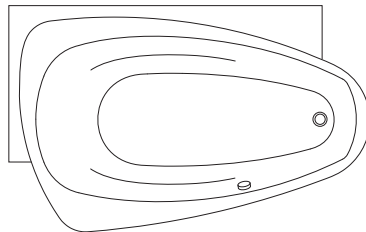
Pump -
Power (kW) 0,8
Micro-jets -
Midi-jets -
Air-jets 12



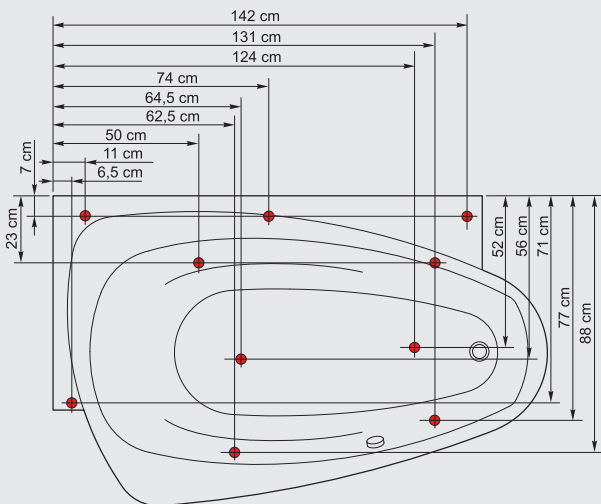
BATH 2774/2784

Bathtub
Frame
Siphon (drain and overflow)

Pump -
Power (kW) -
Micro-jets -
Midi-jets -
Air-jets -



BATH LEGS POSITIONS



ADDITIONAL EQUIPMENT

- 0774/0784 Front panel
- 803 Control system "Aquator Touch-Screen"
- 802 Electronic switching
- 8202 Colour-light therapy with STOP function
- 8201 Colour-light therapy
- 820 Underwater light
- 808/8081 Water heater 1,5 kW / 3,0 kW
- 809 Air heater for blower 230 W
- 807 Air ozonator for blower
- 841/8412 Headrest "NEPTUN" black/white
- 843 Headrest "MARE"
- 856 Cascade Cristina
- 858 Bath filling via special overflow